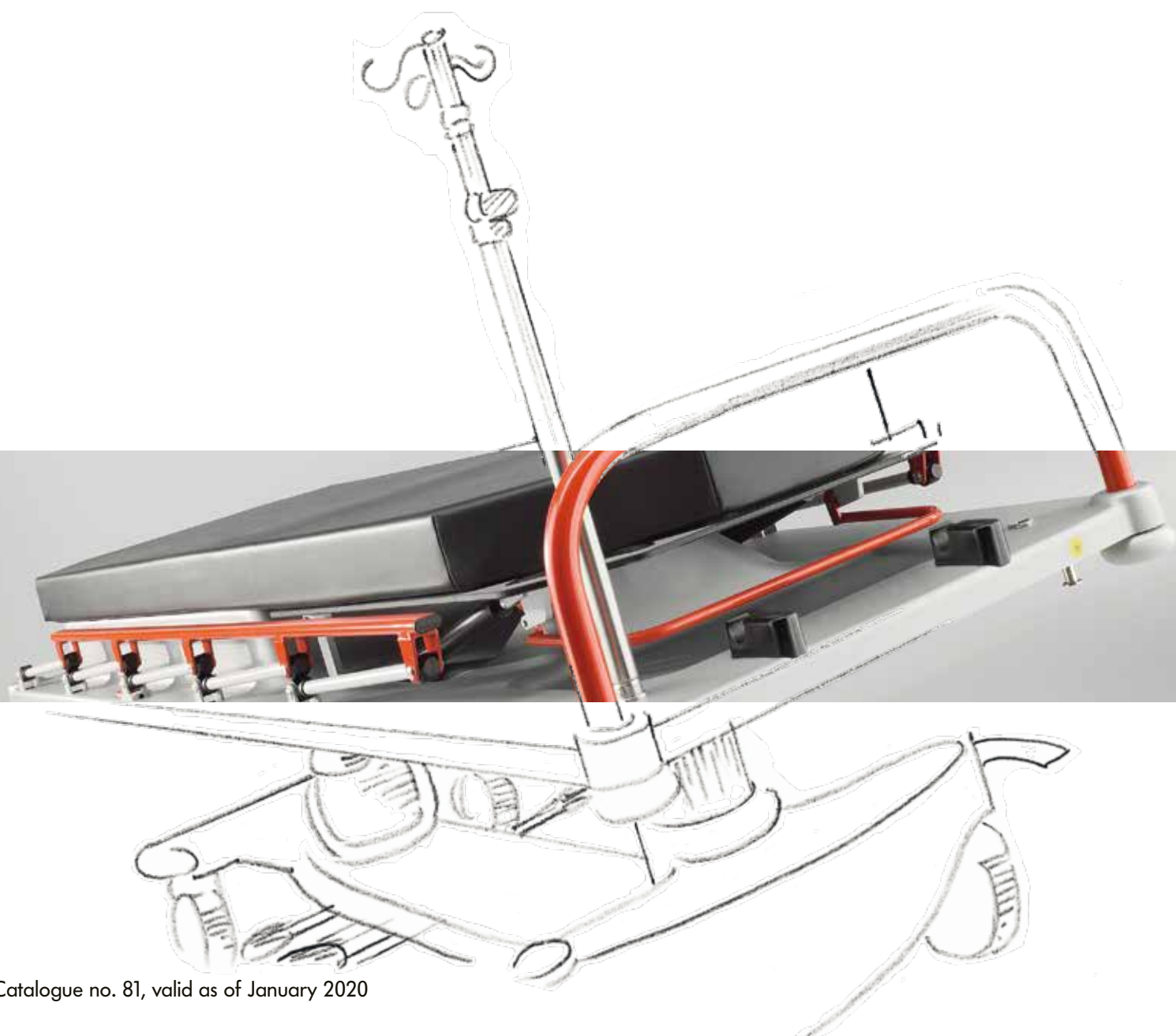




**SCHMITZ**

A SENSE OF CONFIDENCE

# STL 285, STS 282 The Patient Transport Systems for Emergencies and Outpatient Depts.



# Patient Transport System STL and STS with new antimicrobial coating

Effective protection thanks to innovative antimicrobial technology

**The powder coating contains antimicrobial additives.**

**These additives concentrate on the surface in order to protect against contaminating bacteria or microbes.**

**These additives bind to the bacteria and damage their cells in different ways disrupting their normal function and stopping reproduction.**

**The microbes\* cannot survive.**

\*bacteria, mould and fungi

An anti-microbial coating on our STL and STS transport system ensures effective and long-lasting reduction of bacteria, mould and fungi colonisation.

Because of the antimicrobial coating, certain germs are reduced to up to 80% after 15 min and up to 99% within the first two hours.

The use of the antimicrobial coating is an addition to the necessary hygienic processes and increases the protection against potentially harmful microbes.

It inhibits growth of a wide spectrum of microorganisms:

- MRSA
- E.coli
- Salmonella
- Legionella
- Aspergillus Niger

For further information please visit [www.biocote.com](http://www.biocote.com).

## **No change of your transport system**

The transport system does not change on the outside. The anti-microbial coating does not affect its performance capacity.

## **Long life**

The anti-microbial performance does not decrease; it does not wear out; it does not wash off, it will last the lifetime of the product.

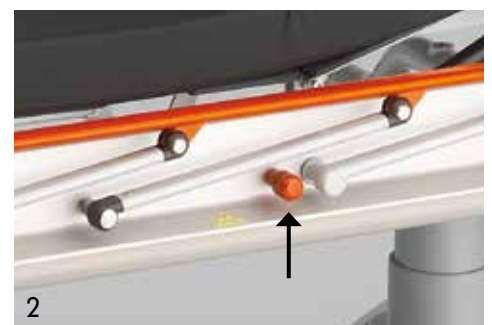
## **Continuous**

The antimicrobial effect is achieved by adding silver ion additives to the coating. This technology works continuously protecting around the clock.

No additives containing nano technologies are used.

The coating is colour-neutral and is used in the areas of the transport system which are especially vulnerable and strained with respect to hygiene requirements:

- 1 Side guards
- 2 Release button / lever of side guards
- 3 Push bar and release of the backrest adjustment



# Why is an anti-microbial coating sensible?

- Bacterial diseases are increasing
- Ever increasing hygiene standards
- Microbes can be found everywhere
- Harmful bacteria, such as MRSA, can be found even on the most clean surface where they can grow and pose a threat to our health

## Advantages of silver ion technology

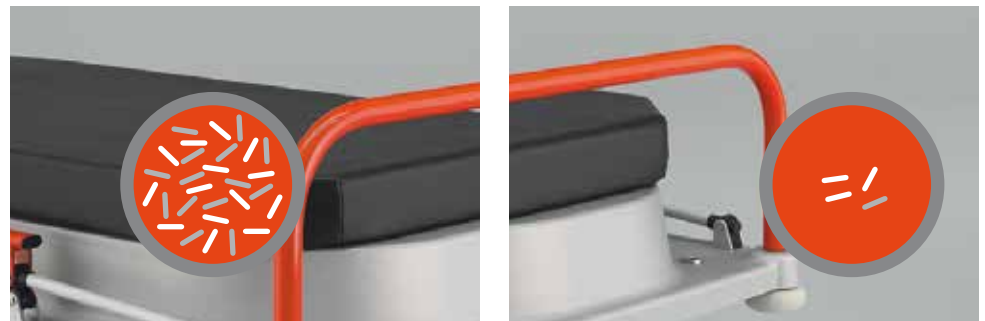
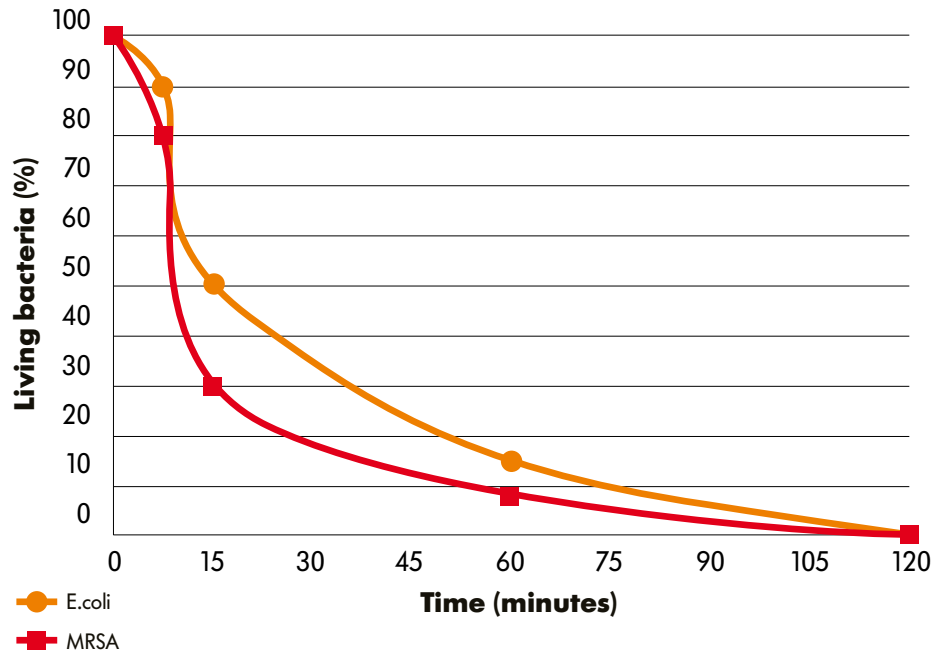
- They are effective against bacteria, mould and fungi
- Silver ion technology is proven effective against resistant strains of bacteria
- They have a permanent effect, complementing the cleaning process

The anti-microbial coating has been tested to ISO 22196:2011 to substantiate the reduction of microbes. Only coatings with a minimum reduction of 95 per cent are approved.

Microbes have a very long stability on untreated surfaces:

Microbe	Durability
MRSA	up to 7 months
Salmonella	14 days
Aspergillus niger	spores survive for years
E.coli	up to 16 months

## Percentage of reduction of MRSA and E.coli on a protected surface (ISO 22196:2011)



Untreated surface

Treated surface

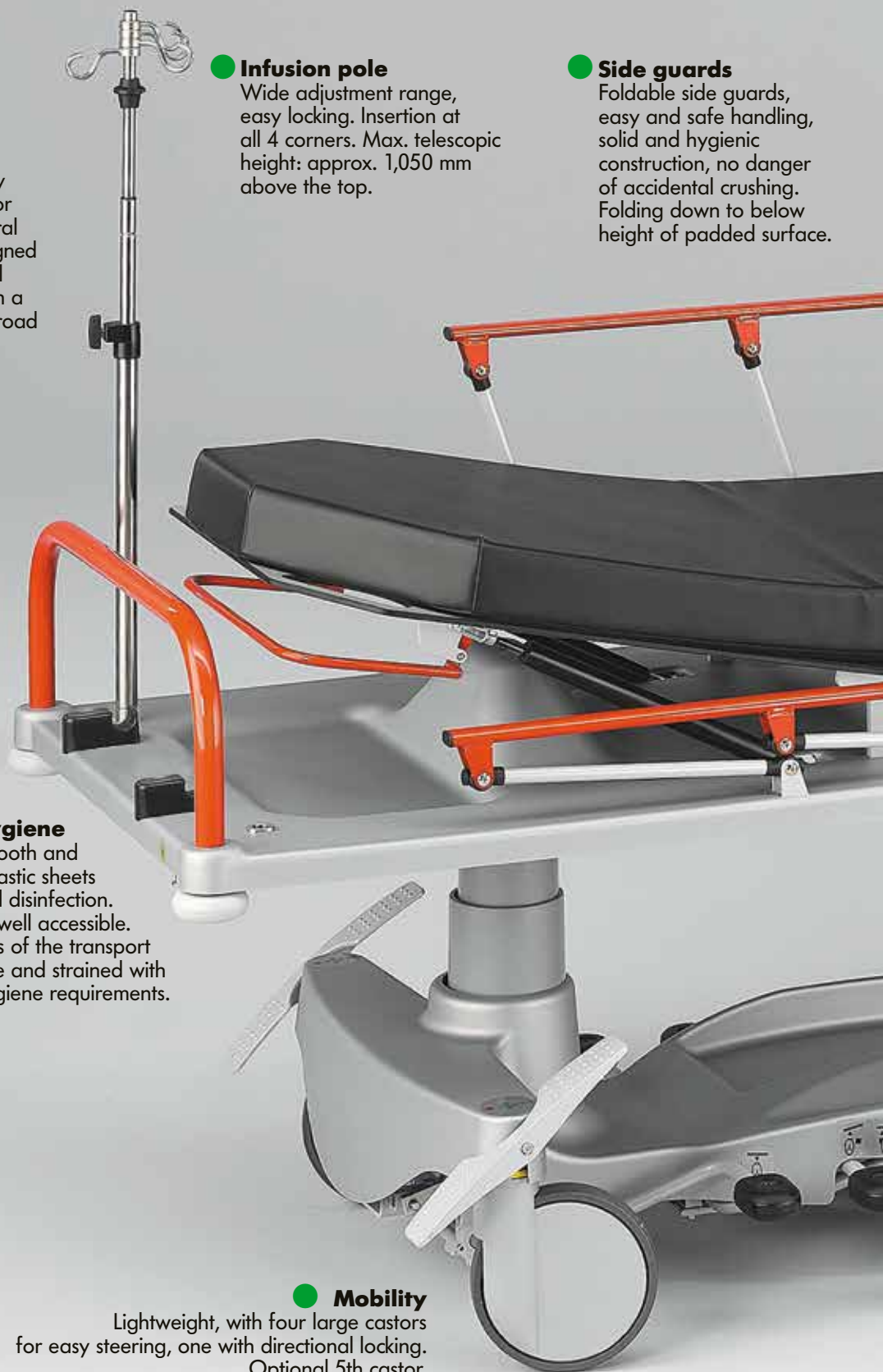
The anti-microbial silver ion technology reduces the growth of microbes **up to 99 per cent** during the first two hours.

# STL 285

## The Patient Stretcher for use inside hospitals

CE

This lightweight transporter provides excellent manoeuvring facilities, especially when the STL is equipped with a 5th castor (optional). Of solid construction with central locking of castors from all sides. Well-designed with closed surfaces to guarantee optimal cleaning/disinfection. Patient stretcher with a favourable price/performance ratio, a broad range of accessories and easy handling.



● **Infusion pole**  
Wide adjustment range, easy locking. Insertion at all 4 corners. Max. telescopic height: approx. 1,050 mm above the top.

● **Side guards**  
Foldable side guards, easy and safe handling, solid and hygienic construction, no danger of accidental crushing. Folding down to below height of padded surface.

● **Push bar**  
One-piece, full-width, one-hand action/moving of the transporter.

● **Hygiene**  
Chassis and upper part features - smooth and sealed coated plastic sheets for optimal hygienic cleaning and disinfection. All parts of the side guards are well accessible. Use of antimicrobial coating for the areas of the transport system which are especially vulnerable and strained with respect to hygiene requirements.

● **Mobility**  
Lightweight, with four large castors for easy steering, one with directional locking. Optional 5th castor.



- **Low basic height of 550 mm**  
More comfort for the patient and hospital staff.



- **Capacity**  
Safe working load up to 300 kg.

- **Upholsteries**  
With adhesive gel strip at the underside.

- **Design**  
To guarantee optimal hygiene, great emphasis was placed on the design lines of the STL frame and mouldings.



- **Operation**  
High/low and Trendelenburg/Reverse Trendelenburg adjustments may be operated either from left or right side of trolley. Central and directional locking of castors by foot pedals from all four sides.

Ill.:  
285.1000.1 with 285.0550.1, 2071470.0 and 2071350.0

# STL 285

## The Patient Stretcher for use inside hospitals



Reverse Trendelenburg adjustment by foot lever



Trendelenburg adjustment by foot lever



Back section adjustment by servo-assisted gas cylinders



Low basic height

### Description

#### Patient stretcher STL 285.1000.1

Chassis with plastic covering in silver-grey, with four one-wheeled castors of 200 mm diameter, with precision-ball-bearings, 2 antistatic and one castor with directional locking. Foot levers as central and directional locking or turn-around device. Foot pump for hydraulic adjustments. 1 foot pedal for height adjustment, 2 pedals for lowering of top and Trendelenburg/ Reverse Trendelenburg adjustments. With earth contact. Patient surface two-piece, without mattress. Back section infinitely adjustable up to 90° maximum by servo-assisted gas cylinders. Push bar at the head end, powder coated in vermilion RAL 2002. Foldaway side guards, powder coated grey/vermilion. With 4 bumpers. **Safe working load up to 300 kg.**

#### STL-Mattress 285.0500.1

1,950 x 620 mm, 40 mm thick, of resistant, hard-wearing PU material, suitable for X-ray imaging, antistatic, black, with adhesive gel strip at the underside.

#### STL-Mattress 285.0550.1

1,950 x 620 mm, 80 mm thick, of resistant, hard-wearing PU material, suitable for X-ray imaging, antistatic, black, with adhesive gel strip at the underside.

#### Transfer mattress 207.3890.2

for an easy and comfortable patient transfer, can also be used as a standard mattress, 1,950 x 590 x 80 mm, of resistant, hard-wearing PU material, antistatic, black, suitable for X-ray imaging, underside of high quality special sliding material, with 4 looped handles along each side. To be secured on both sides of the stretcher by straps. May only be used together with push bar 207.1420.0.

For further information regarding the transfer mattress, see page 7.

### Adjustments, Dimensions:

	<b>285.1000.1</b>
Height adjustment*	550 – 870 mm by foot pump
Trendelenburg/ Reverse Trendelenburg	approx. 15°
Back section adjustment	+ 90°
Total length (overall dimension)	2,160 mm
Total width (overall dimension)	760 mm
Patient surface length	approx. 1,950 mm
Patient surface width	approx. 620 mm
Back section length	730 mm
Distance between the lifting columns	1,075 mm
Diameter of castors	200 mm
Earth contact	■
Weight	approx. 100 kg
Safe working load	300 kg

The company reserves the right to alter the design, construction, dimensions and finish without notice.

■ standard

\* without mattress

# STL 285

## Accessories

1

### Push bar 207.1420.0

additional push bar for foot-end, powder coated in vermilion RAL 2002.

2

### Side rail 207.1600.0

stainless steel, 455 mm long, for the attachment of accessories, mounted at the head end.

3

### Body restraint strap 207.1800.0

with stainless steel attachment clamp, strap interchangeable and washable, Velcro fastener.

4

### 5th Castor 207.1300.0 – surcharge –

additional, spring-loaded directional castor, diameter: 100 mm, of central position for an optimal steering of transporter. Foot lever action (as central locking and directional locking or turn-around device) from all sides.

5

### Transfer mattress 207.3890.2 – upon request –

1,950 x 590 x 80 mm, of resistant, hard-wearing PU material, antistatic, black, suitable for X-ray imaging, underside of special material, with 4 looped handles along each side. To be secured on both sides of the stretcher by straps. May only be used together with push bar 207.1420.0.

- High sliding quality and optimum comfort
- Less strenuous and easy to use
- Helps to save time and costs as it can be handled by just 1 person
- Ideal for transfer to X-ray tables
- Suitable for patients up to 300 kg
- No additional investment, as it can also be used as a standard mattress

6

### Multifunction board 207.3000.0

to be used as monitor or writing tray with a safe working load of 15 kg, or as footboard. Top of grey plastics, incl. 2 Velcro monitor fasteners, frame powder coated RAL 9006. To be inserted at foot end.

7

### Infusion pole 207.1470.0

stainless steel, top with 4 hooks, to be inserted at all 4 corners. Adjustment range 650 mm (3-stage-telescope), one-hand adjustment.

8

### 2 Hooks 207.3200.0

stainless steel, on LHS and RHS, for holding urine or wound drainage bags.

9

### Head cushion 207.2650.0

black, with non-slip covering at the underside.

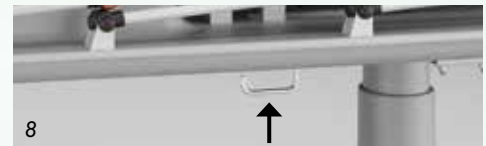
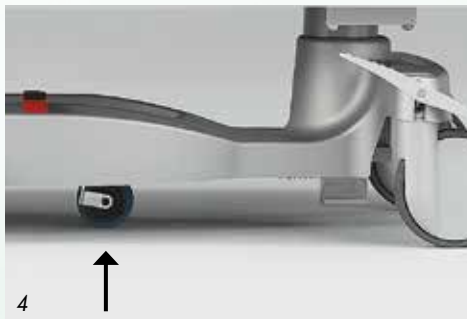
10

### Moulded bottom cover 207.1350.0 – surcharge –

with receptacles for patient's utensils and oxygen cylinders up to 11 litres.

### Paper roll holder 207.3990.0

for paper roll up to 500 mm width. (without ill.)



# STS 282

## The Patient Stretcher

### for Emergencies and Outpatient Depts.

CE

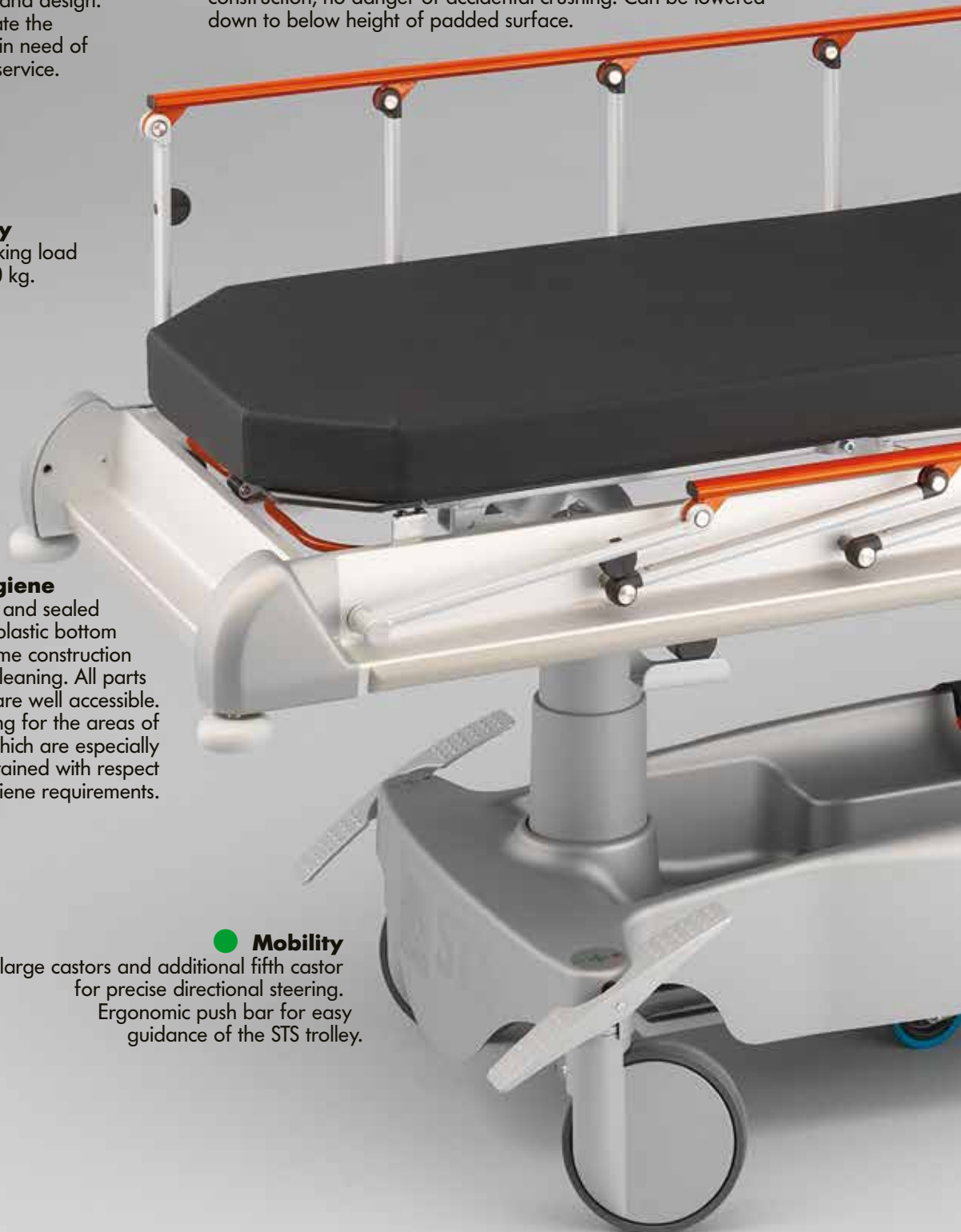
Whether for first aid treatment, in outpatient departments or intensive care units the modern transport stretcher STS 282 sets new standards in operation and mobility as well as in hygiene and design. Well-designed features facilitate the daily work when patients are in need of first-aid treatment or nursing service.

- **Capacity**  
Safe working load up to 300 kg.

- **Hygiene**  
Chassis features - smooth and sealed coated sheets with plastic bottom and closed frame construction for optimal hygienic cleaning. All parts of the side guards are well accessible. Use of antimicrobial coating for the areas of the transport system which are especially vulnerable and strained with respect to hygiene requirements.

- **Mobility**  
Four large castors and additional fifth steering for precise directional steering. Ergonomic push bar for easy guidance of the STS trolley.

- **Side guards**  
Foldable side guards, easy and safe handling, solid and hygienic construction, no danger of accidental crushing. Can be lowered down to below height of padded surface.







**Low basic height 590 mm**

More comfort for the patient and hospital staff.

● **Upholsteries**

With adhesive gel strip at the underside.

● **Infusion pole**

Wide adjustment range, easy locking. Can be folded down when not in use.

● **Push bar**

One-piece, of ergonomic design, can be folded away for better access to the patient. One-hand action/ moving of the transporter.

● **Design**

To guarantee optimal hygiene, great emphasis was placed on the design lines of the STS frame and mouldings.



● **Operation**

High/low and Trendelenburg/Reverse Trendelenburg adjustments may be operated either from left or right side of trolley. Central and directional locking of castors by foot pedals from all four sides.



**STS**

# STS 282

## The Patient Stretcher

### for Emergencies and Outpatient Depts.

CE

#### Description



#### **Patient stretcher STS Model 282.1010.1**

Chassis with plastic covering in silver-grey, with four one-wheeled castors of 200 mm diameter, with precision-ball-bearings, 2 antistatic; additional one of 100 mm diameter as fifth castor. Foot levers as central and directional locking or turn-around device. Foot pump for hydraulic adjustments: 1 foot pedal for height adjustment, 2 pedals for lowering of top and Trendelenburg/Reverse Trendelenburg adjustments. With earth contact. Patient surface two-piece, X-ray permeable, without mattress. Aluminium frame. Back section infinitely adjustable up to 90° maximum by servo-assisted gas cylinders. Push bar at the head end, swing-down type, powder coated in vermilion RAL 2002. Foldaway side guards, powder coated grey/vermilion. 4 bumpers and additional lateral collision protection.

Infusion pole of stainless steel, fixation at the head on left side, extendable (3-stage telescope), can be folded down, with 4 hooks. Storage space for utensils and oxygen cylinder holder integrated in the moulded bottom cover.

**Safe working load up to 300 kg.**

#### **STS-Mattress Model 282.0500.1**

1,950 x 620 mm, 40 mm thick, of resistant, hard-wearing PU material, suitable for X-ray imaging, antistatic, black, with adhesive gel strip at the underside.

#### **STS-Mattress Model 282.0550.1**

1,950 x 620 mm, 80 mm thick, of resistant, hard-wearing PU material, suitable for X-ray imaging, antistatic, black, with adhesive gel strip at the underside.

#### **Transfer mattress 206.3890.2**

for an easy and comfortable patient transfer, can also be used as a standard mattress, 1,950 x 590 x 80 mm, of resistant, hard-wearing PU material, antistatic, black, suitable for X-ray imaging, underside of high quality special sliding material, with 4 looped handles along each side. To be secured on both sides of the stretcher by straps. May only be used together with push bar 206.1400.0.

For further information regarding the transfer mattress, see page 13.



#### **Patient stretcher STS 282.2010.1**

similar to model no. 282.1010.1, but with four-part patient surface, foot and mid-section mechanically adjustable with gas-spring assistance, adjustment angle in the thigh area: 52°

#### **STS-Mattress 282.0500.1**

1,950 x 620 mm, 40 mm thick, of resistant, hard-wearing PU material, suitable for X-ray imaging, antistatic, black, with adhesive gel strip at the underside.

#### **STS-Mattress 282.0550.1**

1,950 x 620 mm, 80 mm thick, of resistant, hard-wearing PU material, suitable for X-ray imaging, antistatic, black, with adhesive gel strip at the underside.



Reverse Trendelenburg by foot lever



Trendelenburg by foot lever



mechanically adjustable foot and midsection



### Adjustments, Dimensions:

	<b>282.1010.1</b>	<b>282.2010.1</b>
Height adjustment*	590 – 900 mm by foot pump	590 – 900 mm by foot pump
Trendelenburg/Reverse Trendelenburg	approx. 15°	approx. 15°
Back section adjustment	+ 90°	+ 90°
Leg elevation		■
Total length (overall dimension)	2,160 mm	2,160 mm
Total width (overall dimension)	765 mm	765 mm
Patient surface length	approx. 1,950 mm	approx. 1,950 mm
Patient surface width	approx. 620 mm	approx. 620 mm
Back section length	730 mm	730 mm
Distance between the lifting columns	1,075 mm	1,075 mm
Diameter of castors	200 mm	200 mm
Infusion pole: three-stage telescopic bar, adjustment range: 650 mm	■	■
Receptacle for oxygen cylinder: for bottles up to 11 litres	■	■
Earth contact	■	■
Weight	approx. 115 kg	approx. 120 kg
Safe working load	300 kg	300 kg

The company reserves the right to alter the design, construction, dimensions and finish without notice.

■ standard

\* without mattress

# STS 282 Accessories





1  
**Push bar 206.1400.0**  
 additional push bar for foot-end, foldaway,  
 powder coated in vermilion RAL 2002.

2  
**Body restraint strap 206.1800.0**  
 with stainless steel attachment clamp,  
 strap interchangeable and washable,  
 Velcro fastener.

3  
**Side rail 206.1600.0**  
 stainless steel, 455 mm long, for the attachment  
 of accessories, mounted at the head end.  
 Emergency ventilator with corresponding adaptor  
 can be hung on the side rail at head end  
 (requires 1 x 206.1600.0).

**Side rail 206.1610.0**  
 similar to model no. 206.1600.0,  
 mounted at the foot end.

**Side rail 206.1620.0**  
 similar to model no. 206.1600.0, mounted  
 at the right hand long side, near the head end.

**Side rail 206.1630.0**  
 similar to model no. 206.1600.0, mounted  
 at the left hand long side, near the head end.

**Side rail 206.1640.0**  
 similar to model no. 206.1600.0, mounted  
 at the right hand long side, near the foot end.

**Side rail 206.1650.0**  
 similar to model no. 206.1600.0, mounted  
 at the left hand long side, near the foot end.

4  
**Multifunction board 206.3000.0**  
 to be used as monitor or writing tray with a safe  
 working load of 15 kg, or as footboard.  
 Top of grey plastics, incl. 2 Velcro monitor fasteners,  
 frame powder coated RAL 9006.  
 To be inserted at foot end.

5  
**Infusion pole incl. push grip 206.1460.0**  
 additional infusion pole, placed at the foot,  
 adjustment range: 650 mm (3-stage-telescope),  
 can be folded down, with 4 hooks, of stainless steel,  
 (no subsequent fitting possible).

6  
**Infusion pole 206.1470.0**  
 stainless steel, top with 4 hooks, to be inserted  
 at all 4 corners. Adjustment range 650 mm,  
 one-hand adjustment (3-stage-telescope).

7  
**Arm rest 206.1700.0**  
 left, stored under the top when not in use.  
 (Please inform us of the thickness  
 of foam cushion upon supplementary orders.)

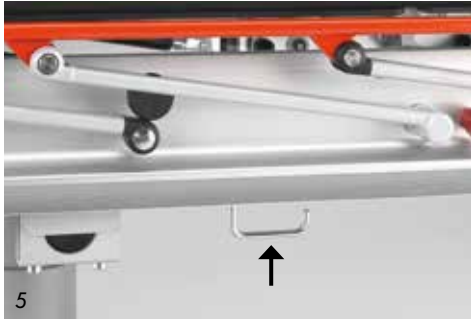
8  
**Arm rest 206.1750.0**  
 right, stored under the top when not in use.  
 (Please inform us of the thickness  
 of foam cushion upon supplementary orders.)



8

# STS 282 Accessories





1

**Head cushion 206.2650.0**

black, with non-slip covering at the underside.

2

**Reanimation board CE 206.5500.0**

600 x 390 mm (W x D)  
made of Trespa, 8 mm thick, white.

3

**Guiding rails for X-ray-cassettes 206.2850.0**

stainless steel (no subsequent fitting possible)  
for 282.1010.1 model only.

4

**Cassette carrier 206.2820.0**

for X-ray-cassettes up to 350 x 430 mm,  
telescopic insertion bar, with position mark,  
stainless steel.

5

**2 Hooks 206.3200.0**

stainless steel, on LHS and RHS,  
for holding urine or wound drainage bags.

6

**Transfer mattress 206.3890.2**

1,950 x 590 x 80 mm, of resistant, hard-wearing PU  
material, antistatic, black, suitable for X-ray imaging,  
underside of special material, with 4 looped handles  
along each side. To be secured on both sides of the  
stretcher by straps. May only be used together with  
push bar 206.1400.0.

- High sliding quality and optimum comfort
- Less strenuous and easy to use
- Helps to save time and costs as it can be handled by just 1 person
- Ideal for transfer to X-ray tables
- Suitable for patients up to 300 kg
- No additional investment, as it can also be used as a standard mattress

7

**Oxygen cylinder holder 206.3830.0**

powder-coated sheet steel, RAL 9006, mounted  
below the back section, for 2.5 l oxygen cylinders,  
fixing of cylinder by hook and loop tape.

**Paper roll holder 206.3990.0**

for paper rolls up to 500 mm width.  
(without ill.)



**SCHMITZ u. Söhne  
GmbH & Co. KG**

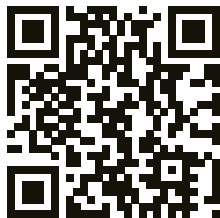
P. O. Box 14 61  
58734 Wickede (Ruhr)  
Germany (postal address)  
Zum Ostenfeld 29  
58739 Wickede (Ruhr)  
Germany (visiting address)  
T +49 (0)2377 84 0  
F +49 (0)2377 84 135  
www.schmitz-soehne.com  
export@schmitz-soehne.de

Technical service, hotline:  
T +49 (0)2377 84 549  
F +49 (0)2377 84 210  
service@schmitz-soehne.de

All articles including correspond-  
ing accessories marked with  
the CE label meet the standards  
for medical devices acc. to  
MPG and the EC regulation  
93/42/EEC.



The products may only be used  
for their intended purpose of use.  
Please also observe our operating  
manual!



[f/schmitz.soehne](https://www.facebook.com/schmitz.soehne)



**Information on  
our establishments  
worldwide can be found  
on our website.**

