

# C600

Surgical Table

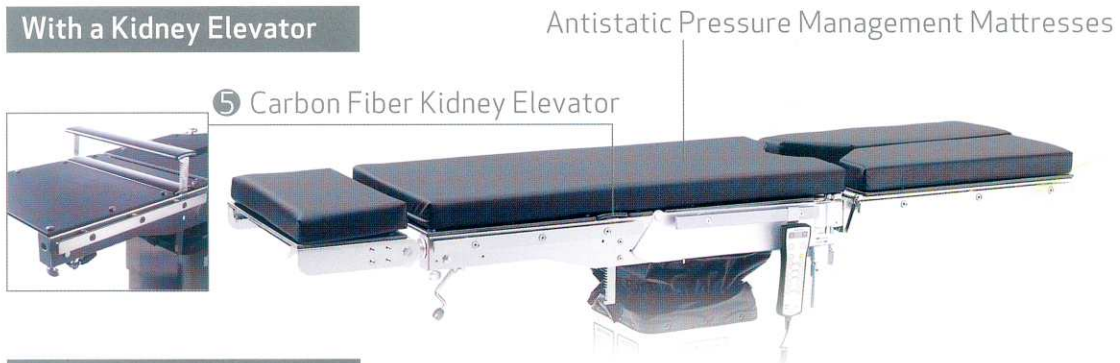


# Configurations

Universal Surgical Table with Complete Features: Suitable for Cardiovascular Surgery, Thoracic Surgery, Neurosurgery, and Orthopedic Surgery.

Features	Model	C600K	C600K/S	C600K/SD	C600K/SND	C600E/S	C600E/SND
Extra Shoulder Section(E)						✓	✓
Carbon Fiber Kidney Elevator(K)		✓	✓	✓	✓		
Electrical Sliding (S)			✓	✓	✓	✓	✓
Low Profile Tabletop (N)					✓		✓
Auto-leveling (D)				✓	✓		✓

## With a Kidney Elevator



## With a Shoulder Section



## Optional Features



### /S: Electrical Sliding

Longitudinal sliding 30 cm towards the head section facilitates radiology applications and creates generous legroom for surgeons.



### /D: Auto-Leveling

Auto-leveling function helps surgical teams leveling the tabletop with an easy push of the control button.



### /N: Low Profile Tabletop

The low profile base allows the C600 to lower all the way down to 52cm – a comfortable height for neurosurgery, ophthalmic surgery and plastic surgery.

## Characteristics

### ① Extra Shoulder Section(C600E models)

The detachable shoulder section can be adjusted during surgery. It provides excellent flexibility for patient positioning.

### ② Cassette Tunnel

A built-in full-length 14" cassette tunnel facilitates X-ray photography. An optional cassette top (for C600K models : PA19.07, for C600E models : PA19.08) installed onto the tabletop is available for inserting the X-ray cassette from either side of the tabletop.

### ③ Built-in Batteries

The C600 is equipped with rechargeable built-in batteries. An indicator on its hand control warns of low capacity battery level.

### ④ Floor Lock for Stability

Special designed floor lock provides stability on either flat floor or uneven surface, and is simply operated by a push of button.

### ⑤ Carbon Fiber Kidney Elevator(C600K models)

Its kidney elevator is made of carbon fiber and guarantees the radiolucent coverage through entire tabletop.

# Applications

## General Surgery

All C600 models have excellent stability for abdominal, breast and advanced laparoscopic surgery.



## Minimally Invasive Surgery (MIS) and Endoscope Procedure

2-piece leg sections provide full support for patient's legs and excellent surgical access for surgeon.



## Cardiovascular Surgery

Longitudinal sliding 30 cm towards the head section (/S option) provides superior C-arm coverage for cardiovascular surgery. Optional PA63.01 Back Section Extender is available for tables without /S option to increase the C-arm coverage.



## Extracorporeal Membrane Oxygenation Procedure (ECMO Procedure)

30° Trendelenburg movement forms an ideal angle for ECMO procedure.



### ENT Surgery

Fowler's position gives optimum patient comfort during ENT surgery.



### Conventional Cholecystectomy and Thoracic Surgery

Either a 5-section tabletop (C600E models ) or an optional kidney elevator (C600K models) gives extra lift to the patient's chest.



### Ophthalmic and Plastic Surgery

An optional low profile base (/N option) offers a comfortable height, and an ophthalmic headrest provides wrist support for the surgeon.



### Urology / Gynecology Surgery

Leg sections can be removed easily or split horizontally, and supportive accessories can be installed.



### Nephrectomy Surgery

230° flex between back and pelvis sections is ideal for nephrectomy surgery.

The kidney elevator (C600K models) can be raised up to 12cm for the convenience of surgical positioning during nephrectomy surgery.



### Neurosurgery (Prone Position)

The patient's head can be placed on a PA13.02 Horseshoe Headrest for approached to the posterior cranial fossa. An optional low profile tabletop (/N option) provides extra low height if needed.

### Neurosurgery (Sitting Position)

Patient's head can be stabilized on a PA30.02 Sitting Headrest in sitting position. Longitudinal sliding toward head section (/S option) providing comfort for the surgeon during the operation.

- Sliding out first then bend down the leg sections, otherwise the leg sections would interfere with the center column.

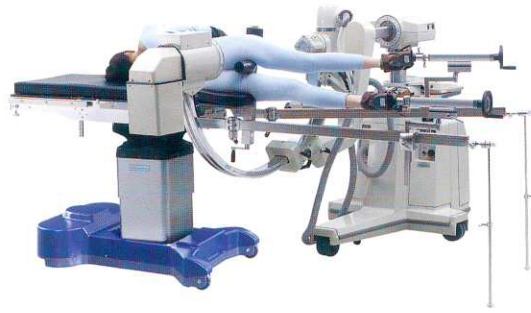


PA42.02 Adjustable Headrest Adapter allows the use of Mayfield skull clamp.

### Orthopedic Surgery

PA88.01 Orthopedic Extension is very light-weight and its left and right portions can be installed independently.

Or alternatively, PA 650.02 Orthopedic Extension for convenient maneuverability during more demanding orthopedic fracture surgeries.



### Rectal Surgery

Kraske / jack-knife position allows easy access for surgeons.



### Spinal Surgery

An optional shoulder section tabletop (C600E models) curves the patient's back for better incision access.

The PA27.01 Dorsal Operation Pad supports the patient's body and gives sufficient room beneath the abdominals for respiration.



### Back (Spinal) Surgery

A patient is positioned in prone jack-knife position for back (spinal) surgery.



### Shoulder Surgery

A light-weight PA54.01 Shoulder Attachment is interchangeable with the shoulder section of C600E models. Its movement is connected to that of the back section which is driven by electro-hydraulic power.



Another light-weight PA54.02 Shoulder Attachment replacing leg sections is also available for shoulder surgery.





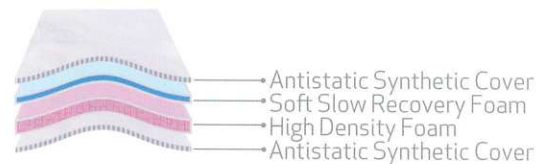
# Key Features

## General Construction

- Base cover is made of chemical-resistant, impact-resistant ABS plastic which is not easily dented by falling objects.
- Mattresses and casters are all electrically conductive, providing safe surgical environment.
- Built-in Full-length 14" radiolucent cassette tunnel extends from the head section to the pelvis section.
- The central column casing shrouds, joint plates, side rails and screws are made of stainless steel which is easy to clean and resist chemicals and disinfectants commonly used in the O.R.
- Electro-hydraulic system provides adjustment of height, Trendelenburg / Reverse Trendelenburg, lateral tilt, back section, flex, reflex angles, floor lock, auto-leveling (for /D option) and sliding ( for /S option).
- Manual articulation mechanisms for adjustment of head section, leg sections, extra shoulder section (C600E models) and kidney elevator (C600K models).
- Head section, leg sections and extra shoulder section (C600E models) can be adjusted, attached or removed manually.
- Gas springs enable adjustments and provide support to leg sections and extra shoulder section (C600E models).

## Tabletop Mattresses

The mattresses are all 6 cm thick and are made of antibacterial and antistatic materials. The foam inside of the mattresses manages pressure underneath the patient to alleviate the risk of bedsores. Latex-free materials are used to avoid allergies associated with some patients.



## Power Supply

The C600 Table can be electrically powered either by AC mains or built-in rechargeable batteries. The power supply will automatically changeover from AC to DC when AC power is unavailable. A fully charged battery set (12V/12Ah\*2 pieces) last for approximately 20 full operation cycles.

- Input Voltage: 100/240VAC, 50/60 Hz
- Input Power: 400W

## Table Adjustment Control

The electro-hydraulic table positioning can be controlled by a hand control or an auxiliary control unit. The system is designed to cut off power to the hand control software after 70 seconds of inactivity to prevent accidental table movements. An optional PA28.02 Foot Control allows for the adjustment of height, lateral tilt and Trendelenburg / Reverse Trendelenburg. To use the auxiliary control unit, press the enabling key and initiate a table movement by pressing the desired buttons.

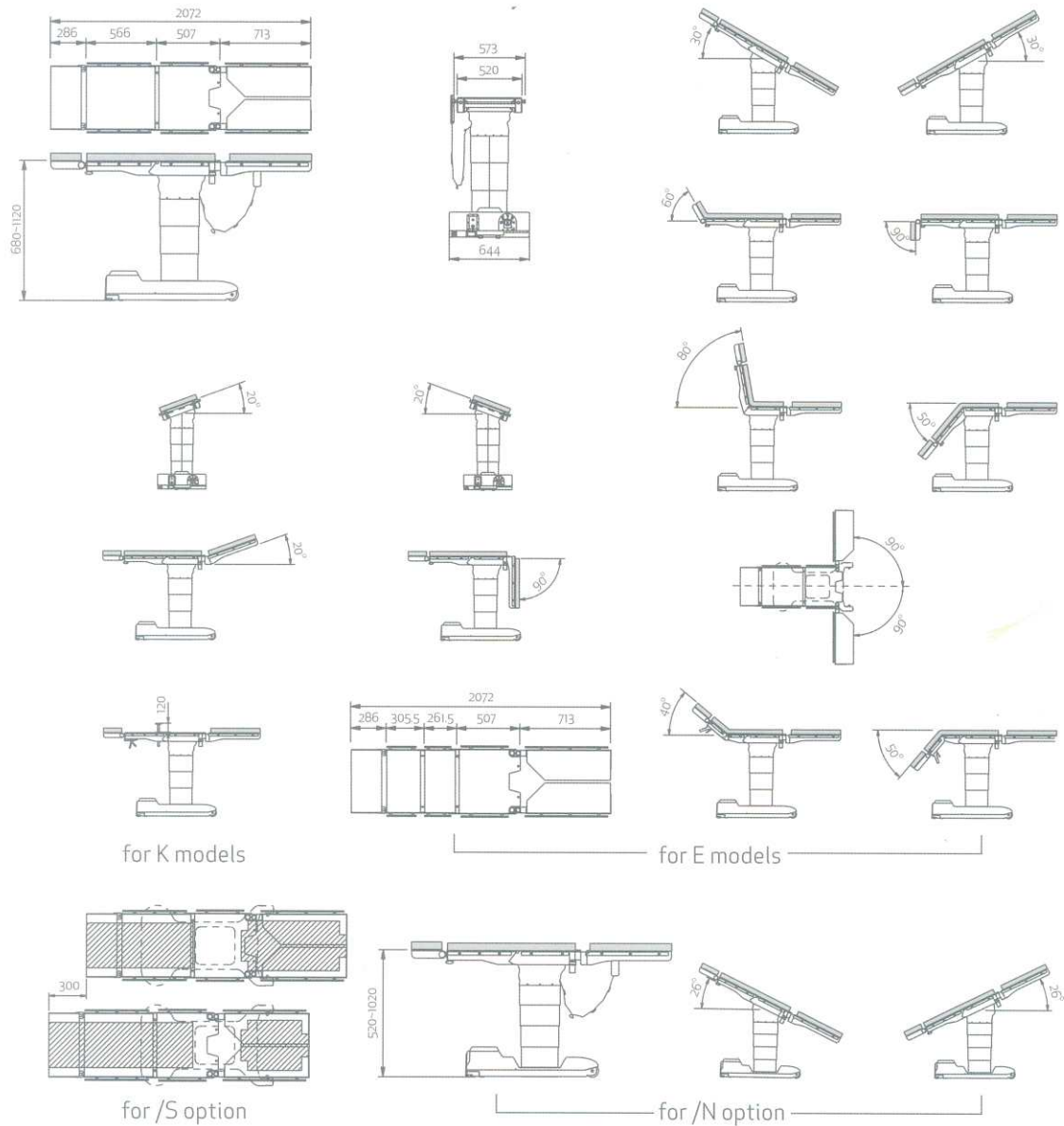
# Technical Specifications

Technical Specifications	
Table Length	2072 mm
Table Width (without side rails)	520 mm
Table Height (without mattress)	680 ~ 1120 mm 520 ~ 1020 mm - for /N option
Trendelenburg / Reverse Trendelenburg	30° / 30° 26° / 26° - for /N option
Lateral Tilt (L / R)	20° / 20°
Head (Up / Down)	60° / 90°
Shoulder (Up / Down)	40° / 50° - for C600E models
Back (Up / Down)	80° / 50°
Leg (Up / Down)	20° / 90°
Leg (Open, 2 Pieces)	0° ~ 180°
Kidney Elevator (Up)	0 ~ 120mm - for C600K models
Longitudinal Sliding (toward head-end)	300mm - for /S option
Flex / Reflex	230° / 100°
Weight Capacity	227kg / 500lbs 181kg / 400lbs - for /S option

NOTE: All specifications and descriptions are subject to change without notice.

## Accessories

PA01.01	Radial Setting Clamp for EUR Side Rail	PA30.02	Sitting Headrest
PA01.02	Radial Setting Clamp for US Side Rail	PA31.04	Pelvic Section Extender
PA02.01	Flat Bar Clamp for EUR Side Rail	PA33.02	Headrest for Plastic Operation
PA02.02	Flat Bar Clamp for US Side Rail	PA35.05	Pressure Management Mattress (6cm) for C series (K models)
PA03.01	Anesthesia Screen	PA35.06	Pressure Management Mattress (6cm) for C series (E models)
PA04.01	Shoulder Brace (Left)	PA36.01	Transfer Board
PA05.01	Shoulder Brace(Right)	PA39.01	Radial Setting Clamp for US and EUR Side Rail
PA06.02	Armboard for US Side Rail	PA42.02	Adjustable Headrest Adapter
PA06.03	Armboard for EUR Side Rail	PA46.01	Lithotomy Legholder
PA07.01	Lateral Brace	PA48.01	Carbon Fiber Armboard for US Side Rail
PA08.02	Leg Holder	PA48.02	Carbon Fiber Armboard for EUR Side Rail
PA09.01	Foot Rest (Left)	PA49.01	Laminate Armboard for US Side Rail
PA10.01	Foot Rest (Right)	PA49.02	Laminate Armboard for EUR Side Rail
PA11.01	Restraint Strap	PA54.01	Shoulder Attachment
PA12.01	Infusion Stand with Two Hooks	PA54.02	Shoulder Attachment
PA12.02	Infusion Stand with Four Hooks	PA63.01	Back Section Extender
PA13.02	Horseshoe Headrest	PA70.01	Cassette Carrier
PA14.01	Upper Arm Support	PA84.01	25cm Table Width Extender for US Side Rail
PA15.01	Proctology Attachment	PA84.02	25cm Table Width Extender for EUR Side Rail
PA16.02	Drain Pan	PA85.01	45cm Table Width Extender for US Side Rail
PA17.01	Accessory Trolley for US Side Rail	PA85.02	45cm Table Width Extender for EUR Side Rail
PA17.02	Accessory Trolley for EUR Side Rail	PA113.01	Wristlet
PA19.07	Cassette Top for C series ( K model )	PA114.01	Anesthesia Screen with Suspended Arm Strap
PA19.08	Cassette Top for C series ( E model )	PA115.01	Pad under Neck
PA27.01	Dorsal Operation Pad	PA116.01	Semi Circular Shaped Pad
PA28.02	Foot Control	PA122.01	Perineal Filler Plate
PA29.01	Microscopic Operation Frame for Hand Operation for US Side Rail	PA123.01	Instrument Tray
PA29.02	Microscopic Operation Frame for Hand Operation for EUR Side Rail	PA88.01	Orthopedic Extension (5cm Mattress) for C Series
PA29.03	Microscopic Operation Frame for Hand Operation (Rectangular Type) for EUR Side Rail	PA650.02	Orthopedic Extension (5cm Mattress)for C Series
PA29.04	Microscopic Operation Frame for Hand Operation (Rectangular Type) for US Side Rail		



NOTE: All specifications and descriptions are subject to change without notice.

Unit:mm



**Mediland Enterprise Corporation**

No. 75, Wenhwa 1st Rd., Kueishan Township,  
Taoyuan County 33382, Taiwan, R.O.C.

Phone 886-3-328-9140  
Fax 886-3-328-8881

international@mediland.com.tw  
www.mediland.com.tw

